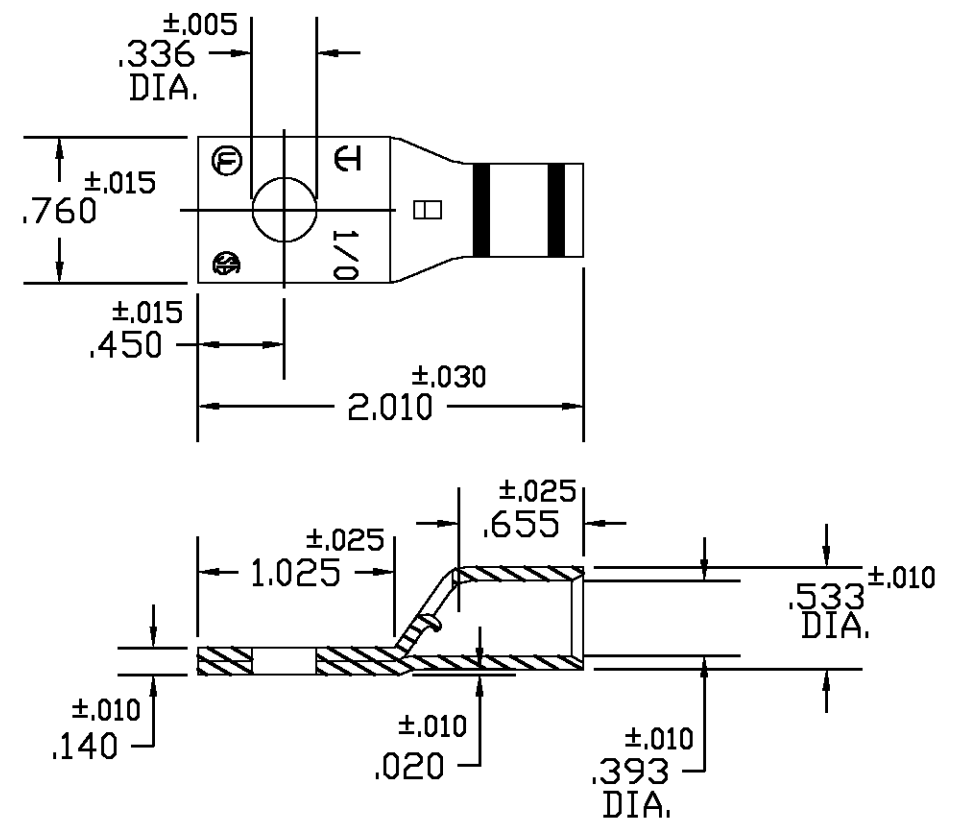


THIS DRAWING IS UNPUBLISHED. RELEASED FOR PUBLICATION
 © COPYRIGHT BY TYCO ELECTRONICS CORPORATION. ALL RIGHTS RESERVED.

LOC	DIST	REVISIONS					
		P	LTR	DESCRIPTION	DATE	DWN	APVD
G	50		A	REV PER 0G3H-0030-04	26JAN04	JR	MS



COLOR CODED PINK

ACTIVE	10567	STANDARD	COLOR CODED	1527230-3
STATUS	AET P/N	PACKAGING	FINISH	PART NUMBER

THIS DRAWING IS A CONTROLLED DOCUMENT.		DWN D.A.A 11/15/00	Tyco Electronics Corporation Harrisburg, PA 17105-3608	
DIMENSIONS: INCHES		CHK H.D.F 11/15/00		
		APVD H.D.F 11/15/00	NAME TUBULAR TERMINAL #1/0 STD. BARREL	
TOLERANCES UNLESS OTHERWISE SPECIFIED:		PRODUCT SPEC	SIZE A3	
0 PLC ± -		APPLICATION SPEC	CAGE CODE 00779	DRAWING NO C-1527230
1 PLC ± -		WEIGHT	RESTRICTED TO	
2 PLC ± -		CUSTOMER DRAWING	SCALE 1:1	SHEET 1 OF 1
3 PLC ± -			REV A	
4 PLC ± -				
ANGLES ± -				
FINISH				
MATERIAL COPPER ASTM B-75				